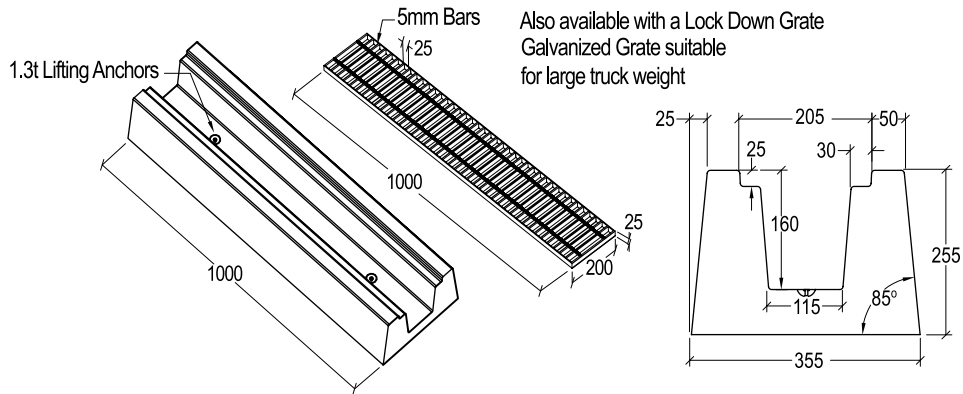
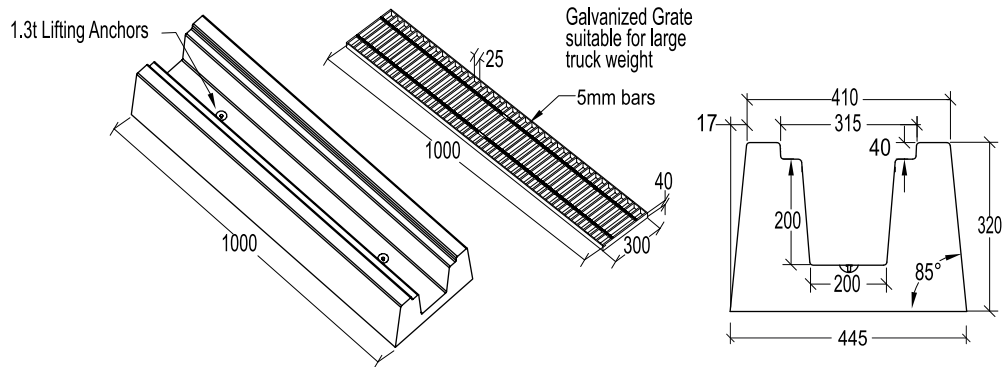


200 CONCRETE CHANNEL DRAIN & GRATE



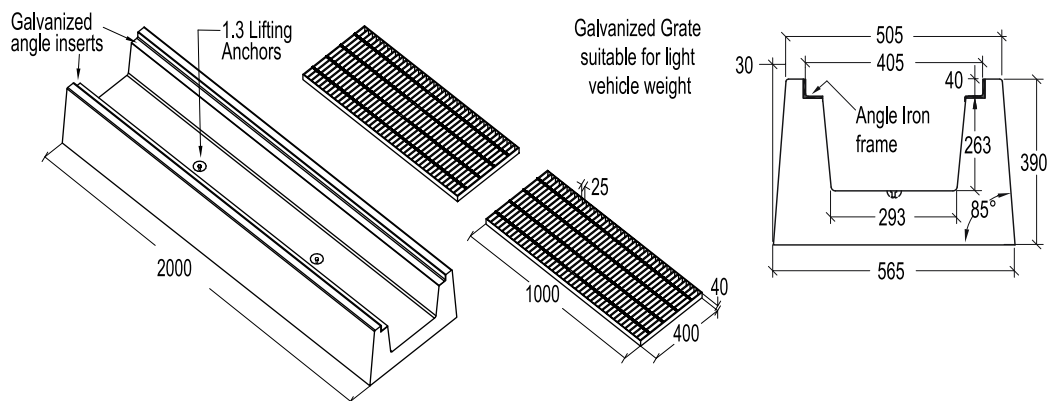
Description	Item N°	Weight
200 x 1000 Channel Drain	230710	142kg
200 x 1000 Channel Drain with 100mm Pop	230717	140kg
200 x 1000 Channel Drain Galforge Grate (94x25 Aperture)	231214	6.8kg

300 CONCRETE CHANNEL DRAIN & GRATE



Description	Item N°	Weight
300 x 1000 Channel Drain	230748	207kg
300 x 1000 Channel Drain with 100mm Pop	230755	205kg
300 x 1000 Channel Drain Galforge Grate (94x25 Aperture)	231237	13.5kg
300 x 1000 Channel Drain Galforge Grate (94x10 Aperture)	231230	28.9kg

400 CONCRETE CHANNEL DRAIN & GRATE



Description	Item N°	Weight
400 x 2000 Channel Drain	230797	536kg
400 x 1000 Channel Drain Galforge Grate (94x25 Aperture)	231266	17kg

