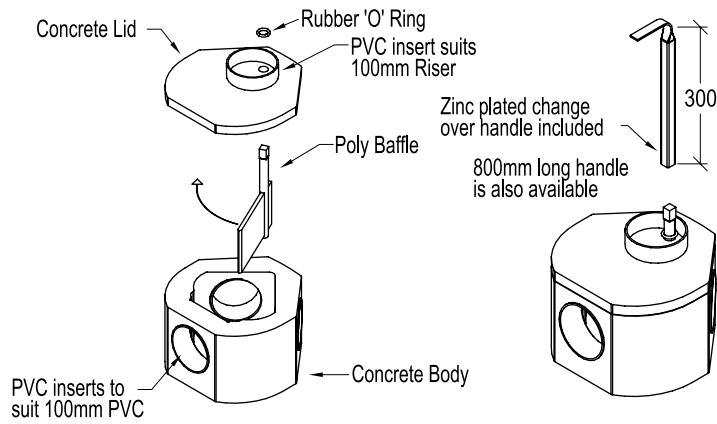
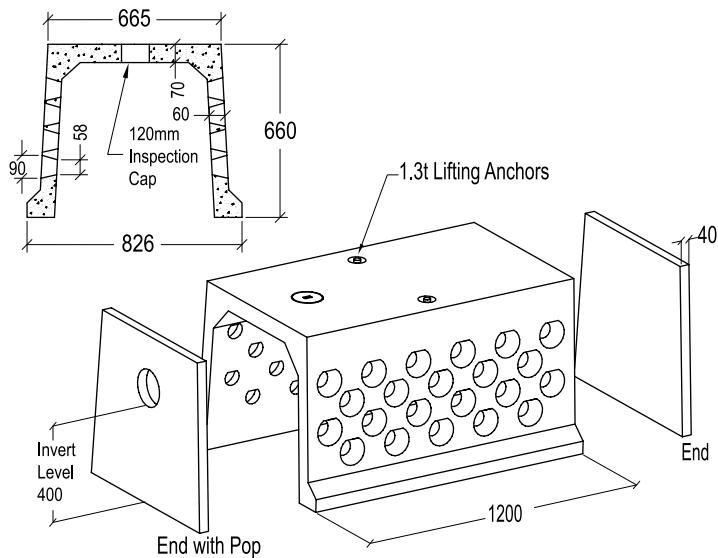


CONCRETE DIVERSION BOX



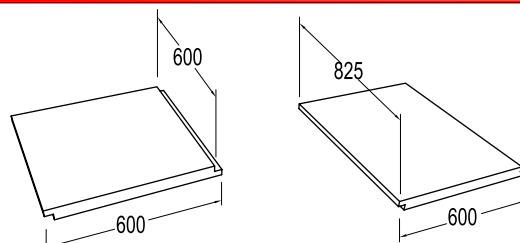
Description	Item N°	Weight
Diversion Box with 300mm Handle	233106	18.5kg
800mm Change over Handle	233130	0.6kg

CONCRETE MODULAR LEACH DRAINS



Description	Item N°	Weight
Leach Drain Module 1.2m	231365	357kg
Leach Drain End	231373	52kg
Leach Drain End with Pop	231381	48kg

CONCRETE COVERS for BRICK LEACH DRAINS



Description	Item N°	Weight
600 x 600 x 50 Non Traffic Leach Drain Cover	231415	48.5kg
825 x 600 x 50 Non Traffic Leach Drain Cover	231423	68.5kg
600 x 600 x 75 Traffic Leach Drain Cover	231456	67.5kg
825 x 600 x 75 Traffic Leach Drain Cover	231464	95.5kg

