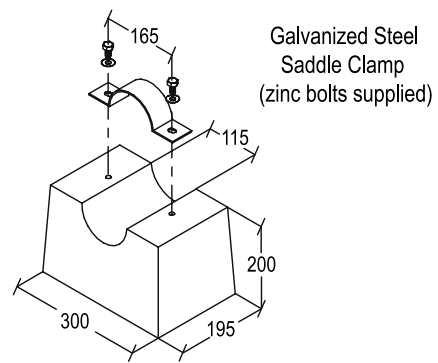
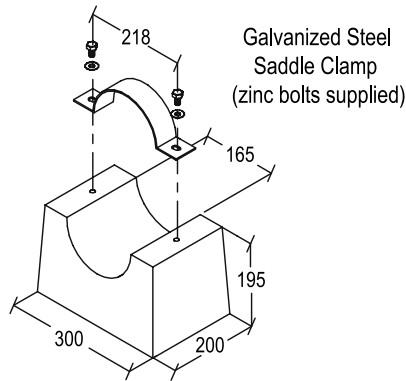


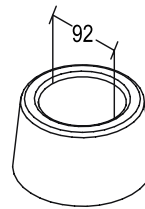
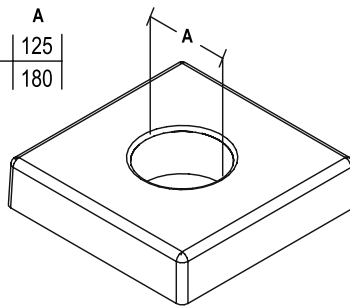
## CONCRETE PIPE ANCHOR BLOCKS



Description	Item N°	Weight
100mm Pipe Anchor Block	230193	23kg
150mm Pipe Anchor Block	230201	21kg

## CONCRETE SPRINKLER SURROUNDS

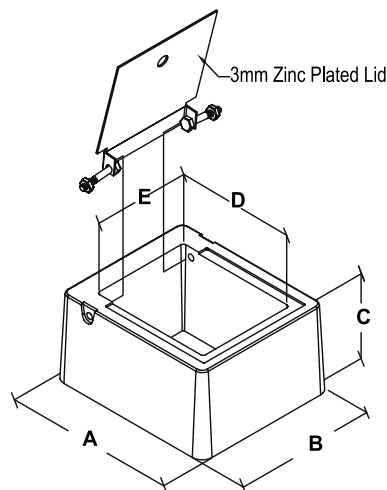
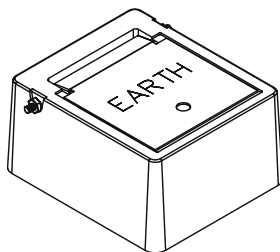
300 x 300 x 70	A	125
400 x 400 x 100	A	180



Description	Item N°	Weight
300 x 300 x 70 Sprinkler Surround	235127	12kg
400 x 400 x 100 Sprinkler Surround	235135	36.5kg
Ø170 x 100 Sprinkler Surround	235119	3kg

## CONCRETE ELECTRICAL EARTH BOXES

	A	B	C	D	E
N° 1 Earth Box	300	260	150	200	160
N° 2 Earth Box	410	315	175	310	215



Description	Item N°	Weight
N° 1 Electrical Earth Box with Lid	230391	14.5kg
N° 2 Electrical Earth Box with Lid	230409	23kg

