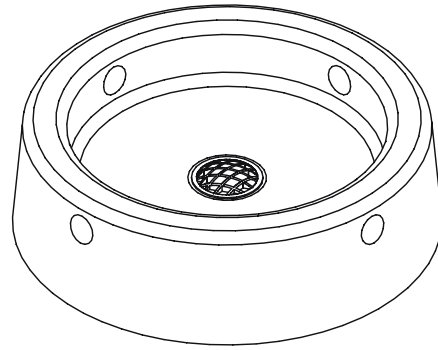
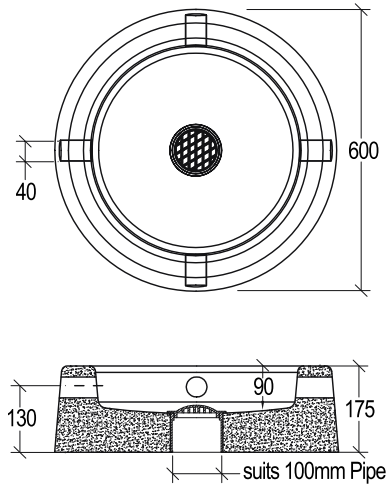
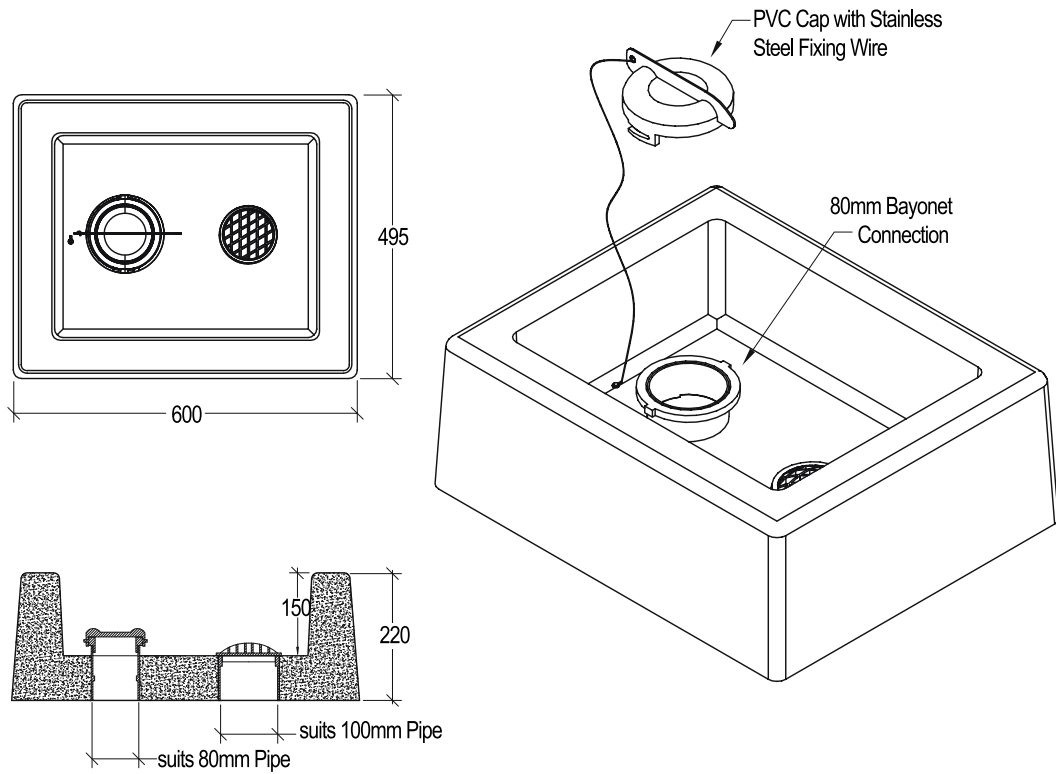


CONCRETE CARAVAN SULLAGE DUMP POINT



Description	Item N°	Weight
Caravan Park Sullage Dump Point	233619	70.5kg

CONCRETE CARAVAN SOIL WASTE DUMP POINT



NOTE* DISCONTINUED ITEM REFER TO WATER CORP DRAWING HX33-18-80 FOR RECOMMENDED PRODUCT

Description	Item N°	Weight
Caravan Park Soil Waste Dump Point	233254	86kg

