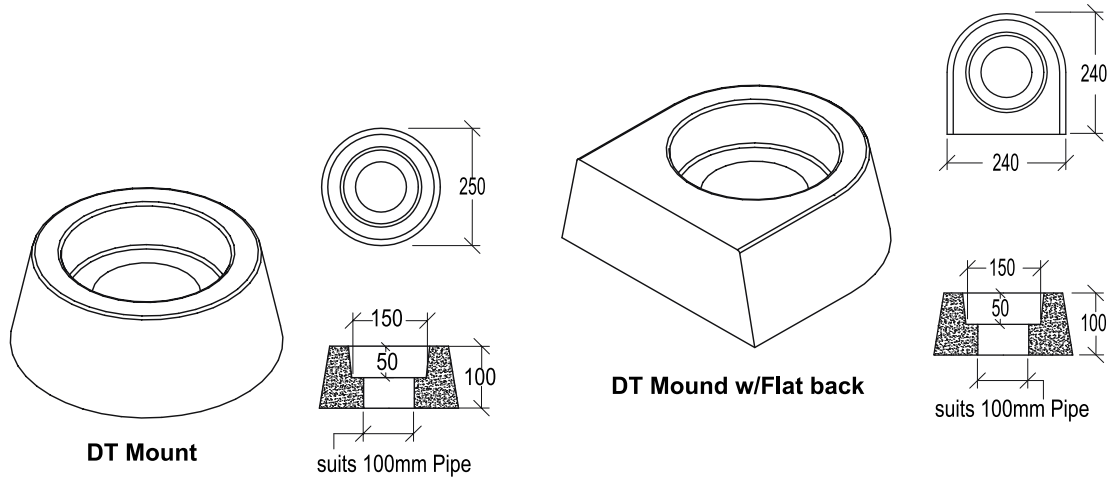
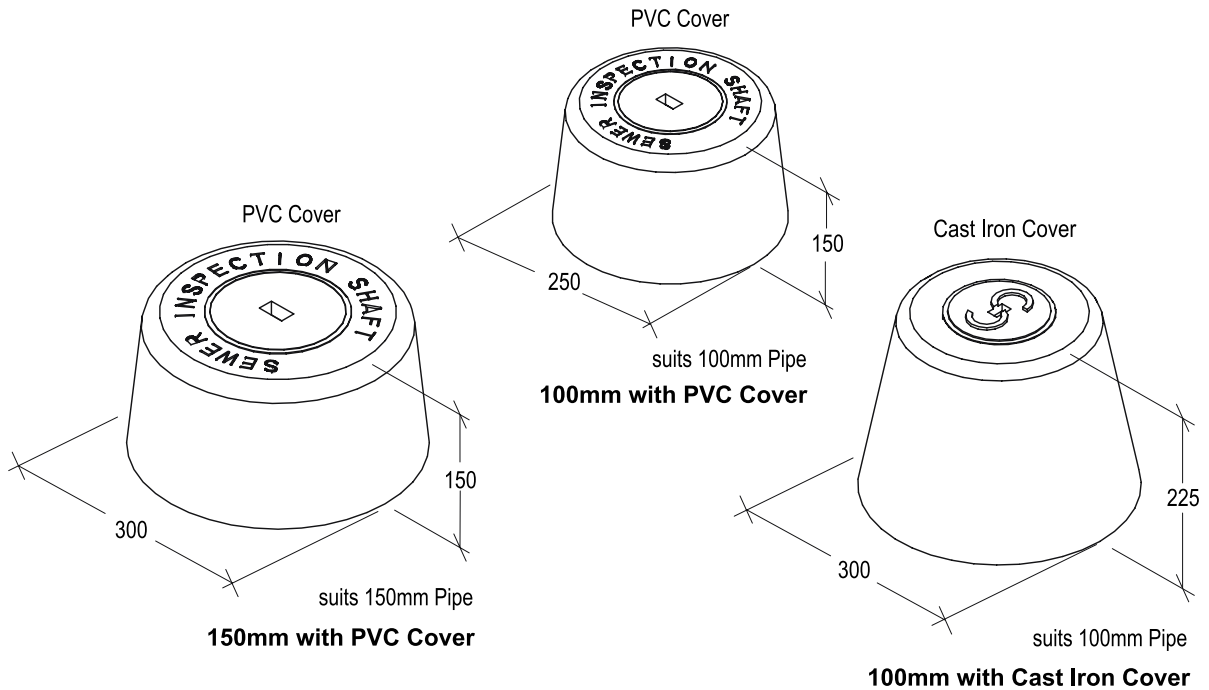


CONCRETE DISCONNECTOR TRAP MOUNDS



Description	Item N°	Weight
Disconnector Trap Round Mound	233841	8.2kg
Disconnector Trap Flatback Mound	233833	10kg

CONCRETE SEWER INSPECTION MOUNDS



Description	Item N°	Weight
100mm Inspection Mound w/PVC Cover	233890	10.5kg
150mm Inspection Mound w/PVC Cover	233897	12kg
100mm Inspection Mound w/Cast Iron Cover	233916	24kg

