

1 2 3 4 5 6 7 8 9 10

A

B

C

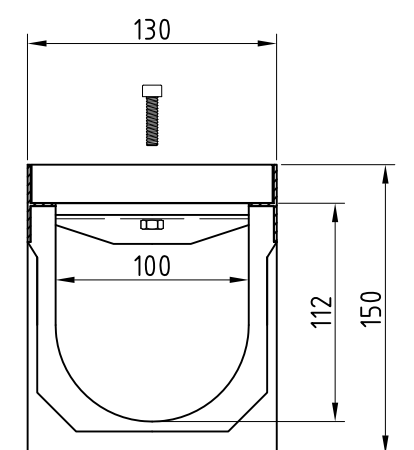
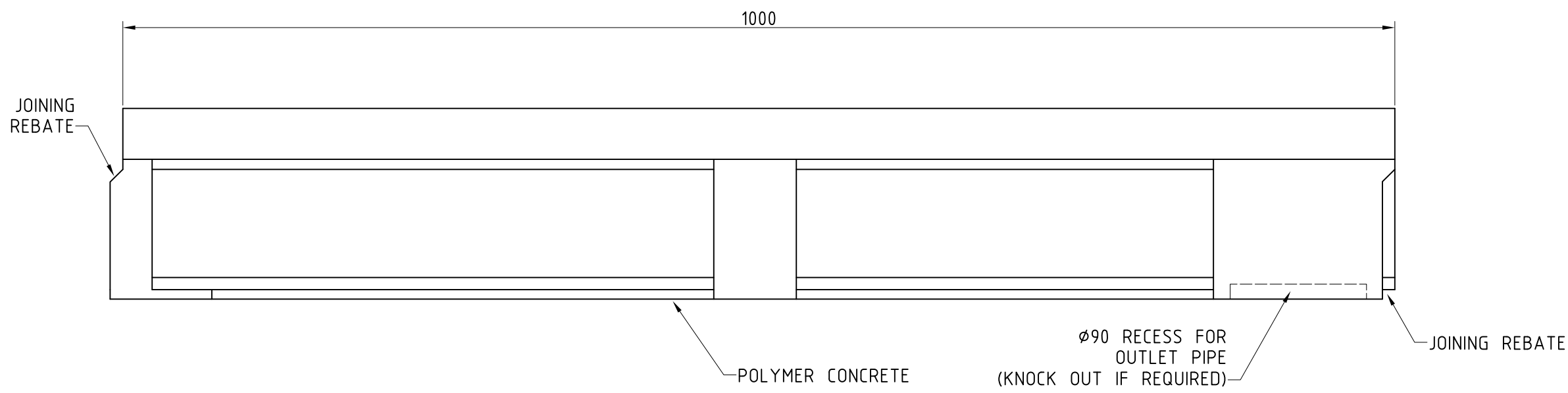
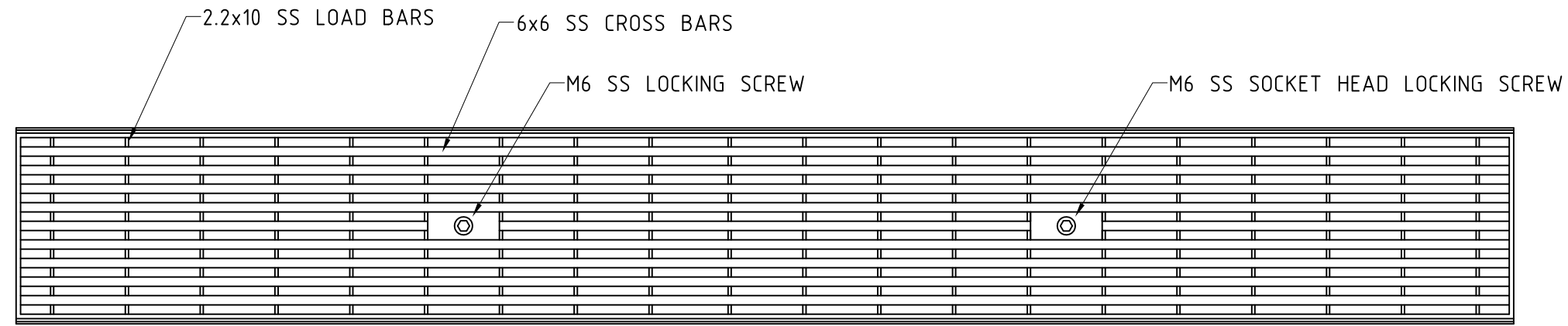
D

E

F

G

410 1 2 3 4 5 6 7 8 9 10



287 SHEET SIZE A3
REFERENCES
THIS DRAWING IS A PRIVATE AND CONFIDENTIAL COMMUNICATION AND MUST NOT BE COPIED OR LOANED WITHOUT CONSENT.

REV	BY	DATE	DESCRIPTION	CKD	APP

DRAWN	M.STACY	24-08-16
TRACED	M.GALVIN	24-08-16
CHECKED	J.LEAHY	24-08-16
SUPT DRAFT		
PROJ. ENG.		
APPROVED		
APP. FOR CONST.		



GALVIN CONCRETE & SHEETMETAL PTY. LTD.
40 Motivation Drive Wangara 6065

Ph: (08) 9302 2175
Fax: (08) 9302 2189
Email: csm@galvins.com.au

DRAINAGE
CHANNEL DRAIN
POLYMER CONCRETE / STAINLESS HEAL GUARD GRATE
GENERAL DIMENSIONS

SCALE	
DRAWING NUMBER	REV
G-CH-PS-G-001	A
PROJECT NUMBER	